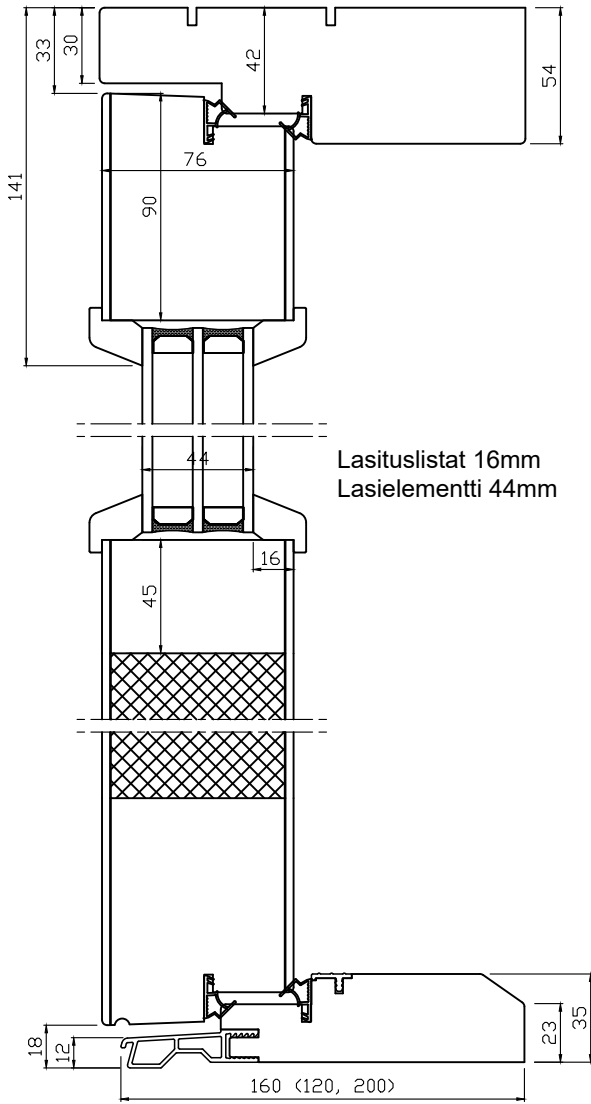


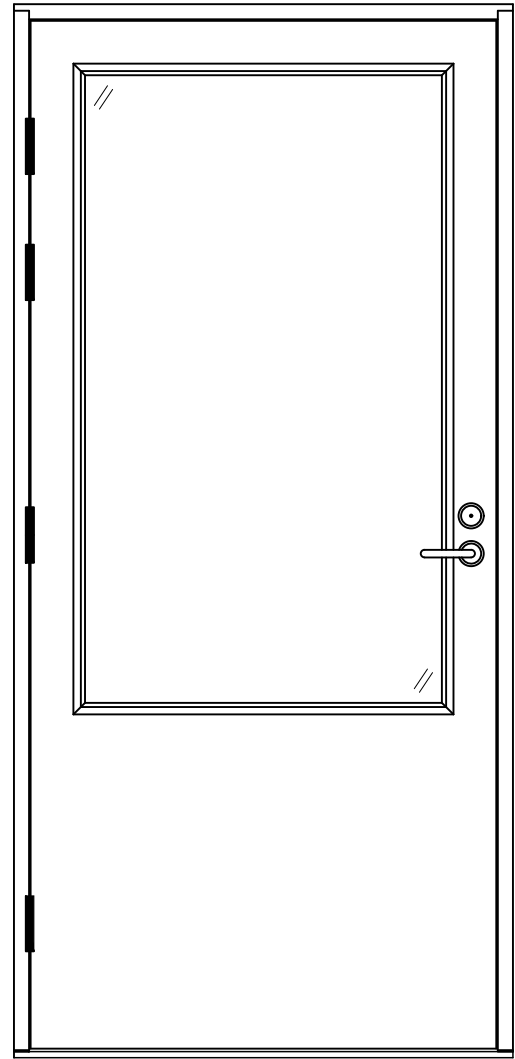
We reserve all rights in this document and in the information contained therein. Reproduction, use or disclosure to third parties without express authority is strictly forbidden. INWIDD

Rev	Description	Rev. by	Date
-----	-------------	---------	------

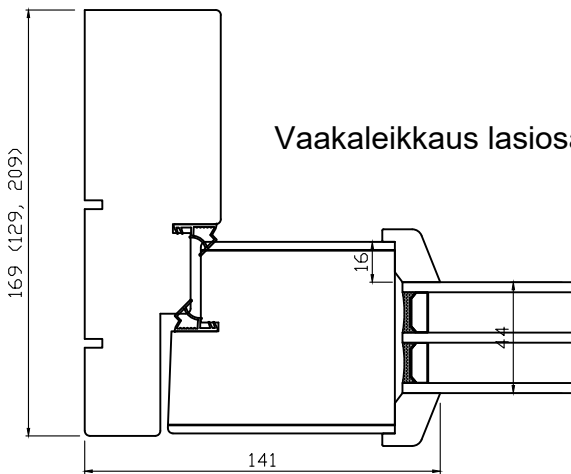
### Pystyleikkaus



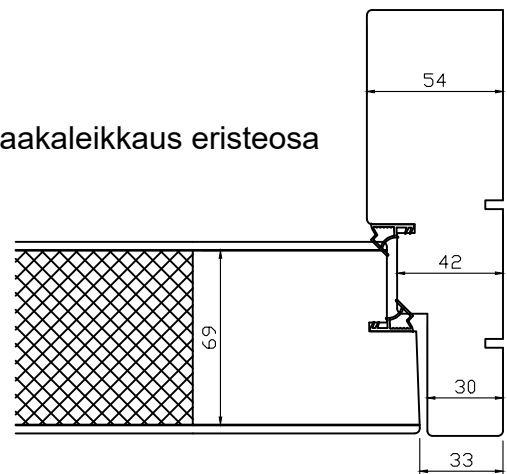
Lasituslistat 16mm  
Laselementti 44mm



### Vaakaleikkaus lasiosa



### Vaakaleikkaus eristeosa



Product Category

Door

IOU-1L/22

Rakennepiirustus

Product Type

IOU

Designed by

JR

Designed date

26.10.2022

Approved by

Approved date

Drawing Number

View orientation



Scale

1:3

Revision

(A)