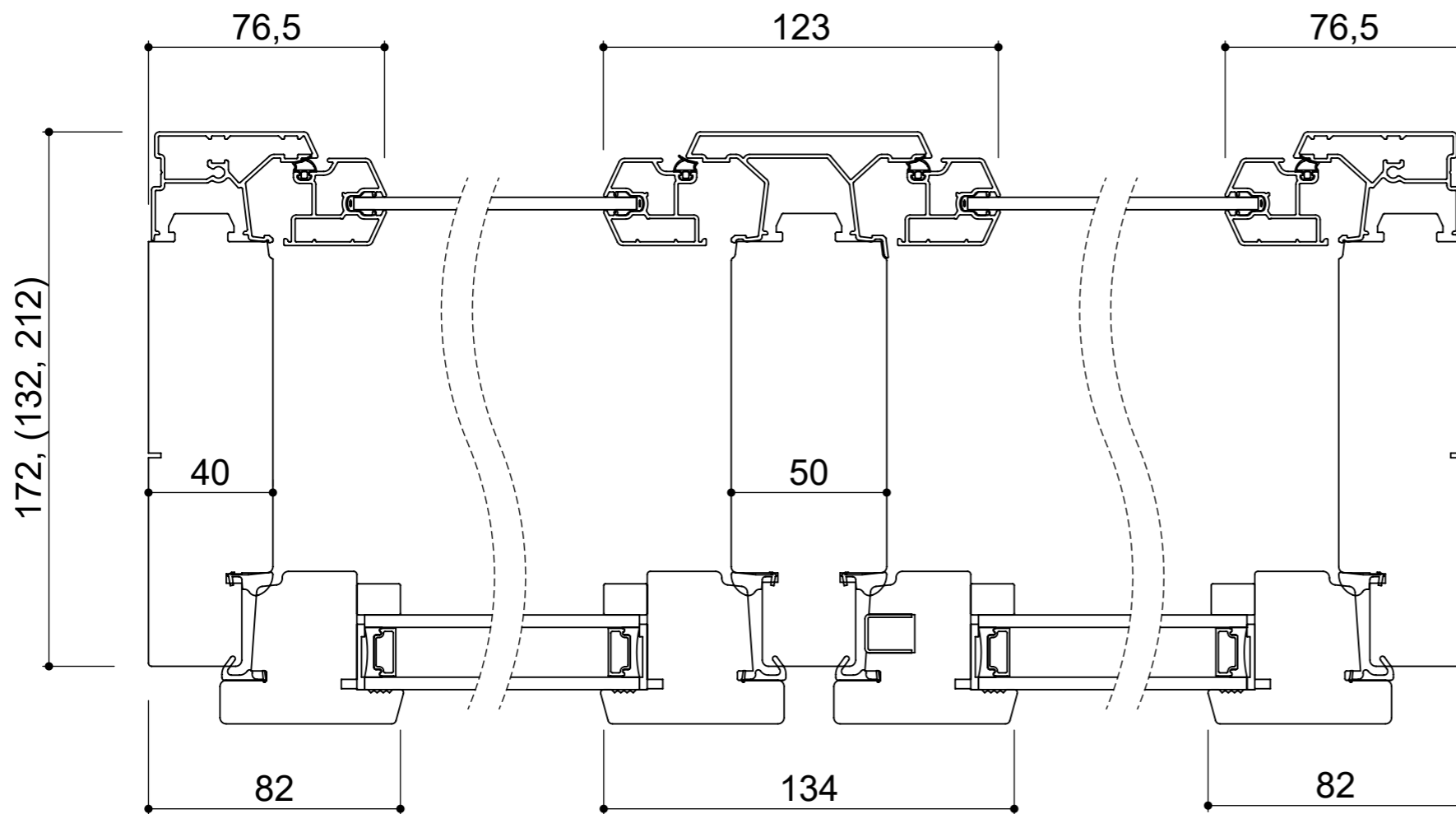
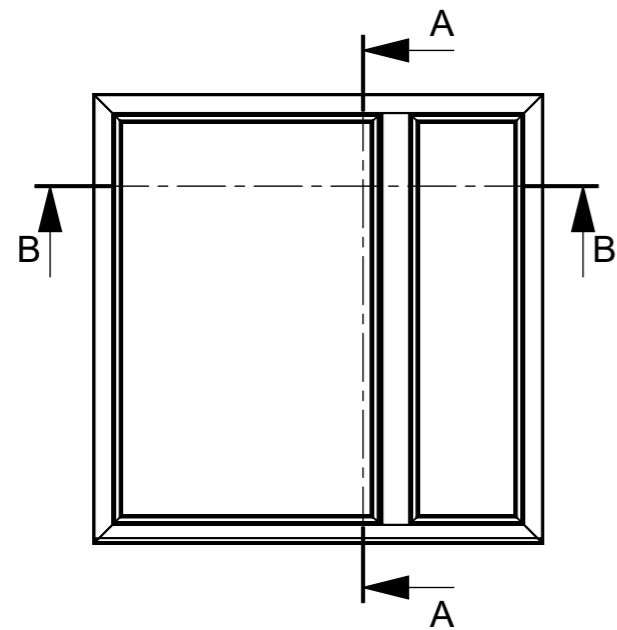
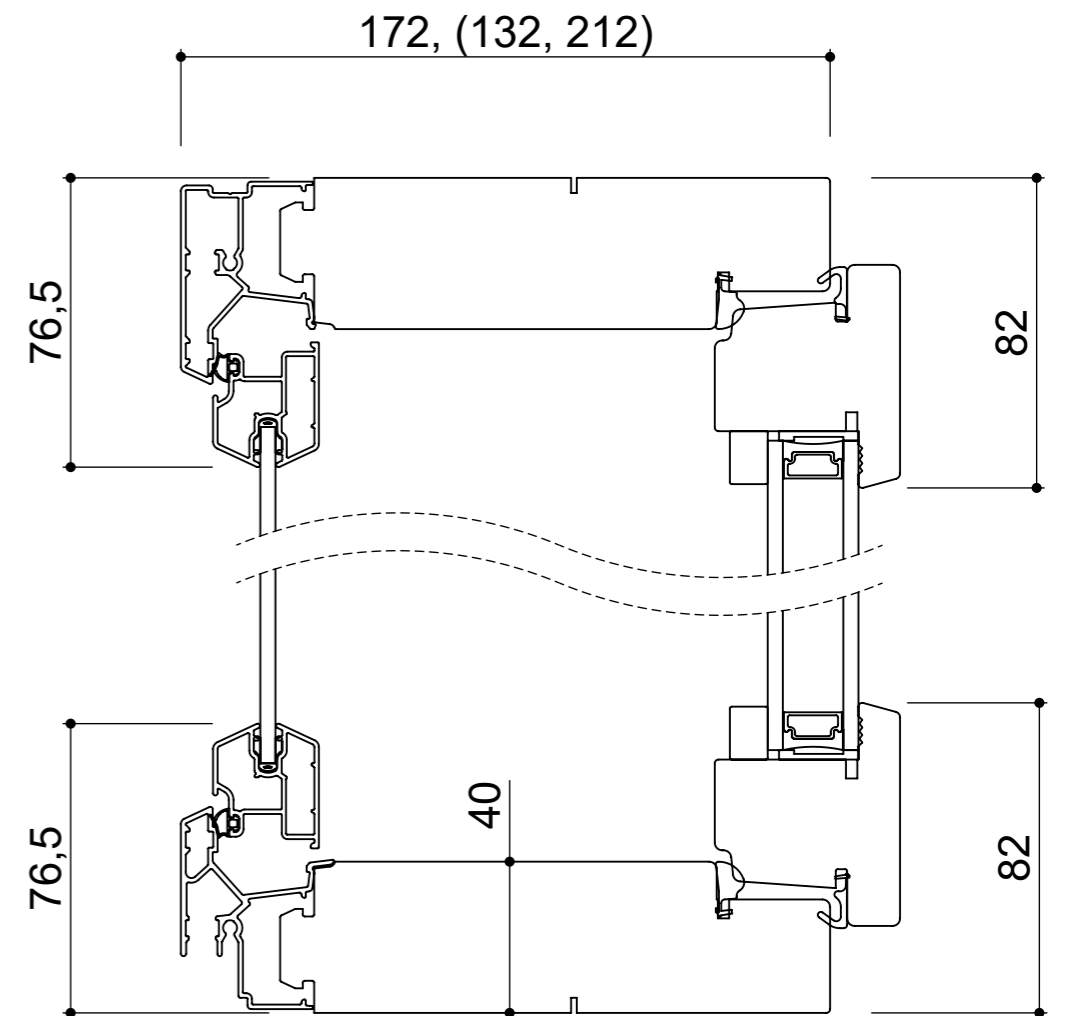


We reserve all rights in this document and in the information contained therein.  
 Reproduction, use or disclosure to third parties without express authority is strictly forbidden.  
 INWIDO



Horizontal cut  
SCALE 1 : 2



Vertical cut  
SCALE 1 : 2

Product Category  
Window

Product Type  
Side Hung - Inward

**tiivi**

Uniikki  
MSE1-U/20

Designed by	Designed date	View orientation
ML	2020-06-25	E
Approved by	Approved date	Scale
ML	2020-06-25	1:20
Drawing Number	Revision	
206535-7 Uniikki	A	