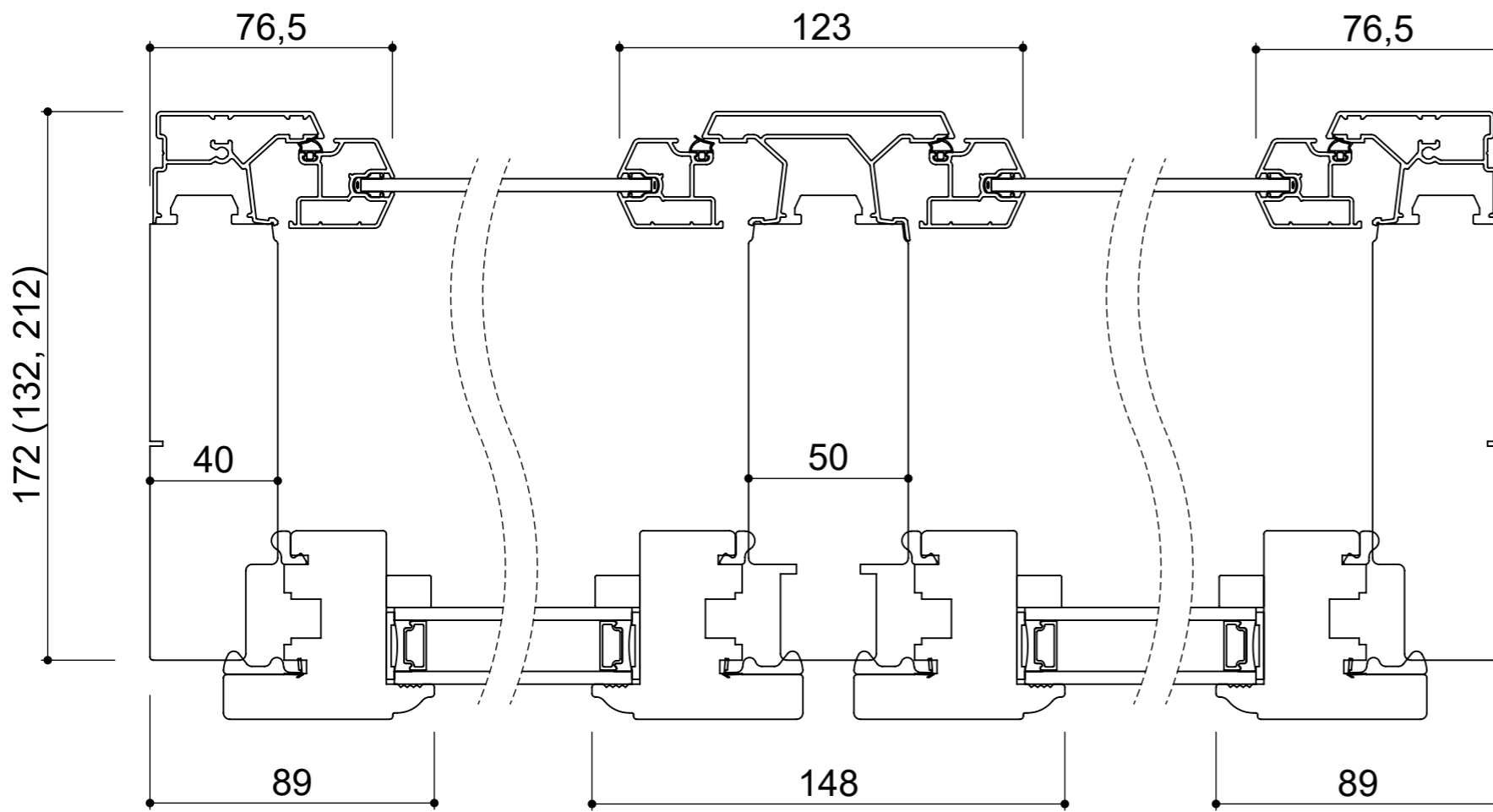
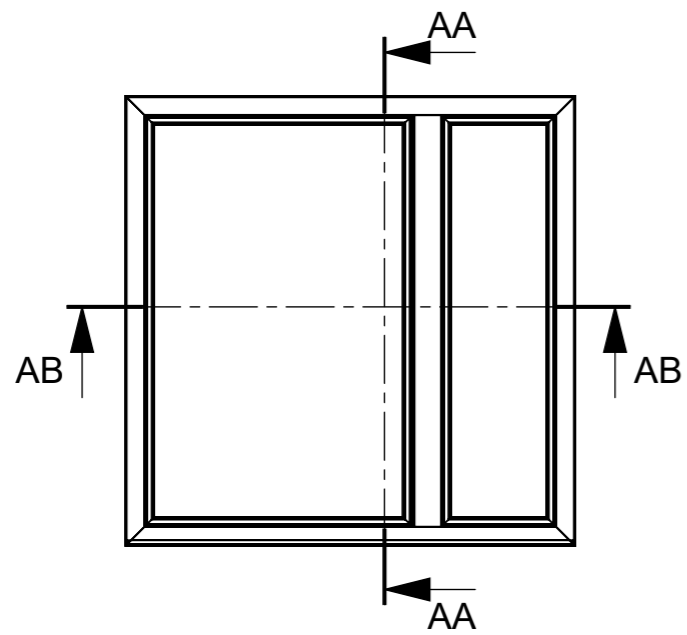
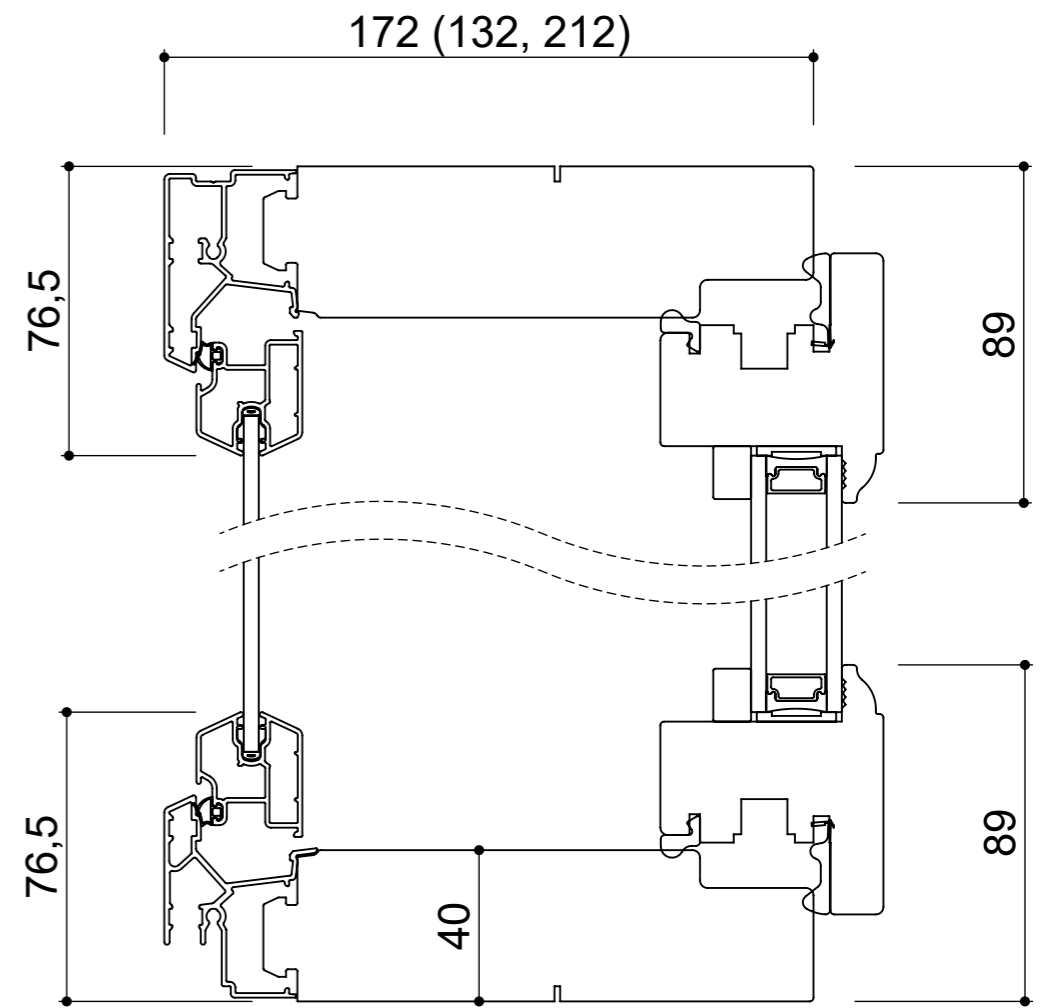


We reserve all rights in this document and in the information contained therein.  
 Reproduction, use or disclosure to third parties without express authority is strictly forbidden.  
 INWIDO



Horizontal cut  
 SCALE 1 : 2



Vertical cut  
 SCALE 1 : 2

Product Category  
**Window**

Product Type  
**Side Hung - Inward**



Kristalli  
 Klassinen  
 MSE1-KR/20

Designed by	Designed date	View orientation 
ML	2020-06-25	
Approved by	Approved date	Scale
ML	2020-06-25	1:20
Drawing Number		Revision
206535-8 Kristalli		A