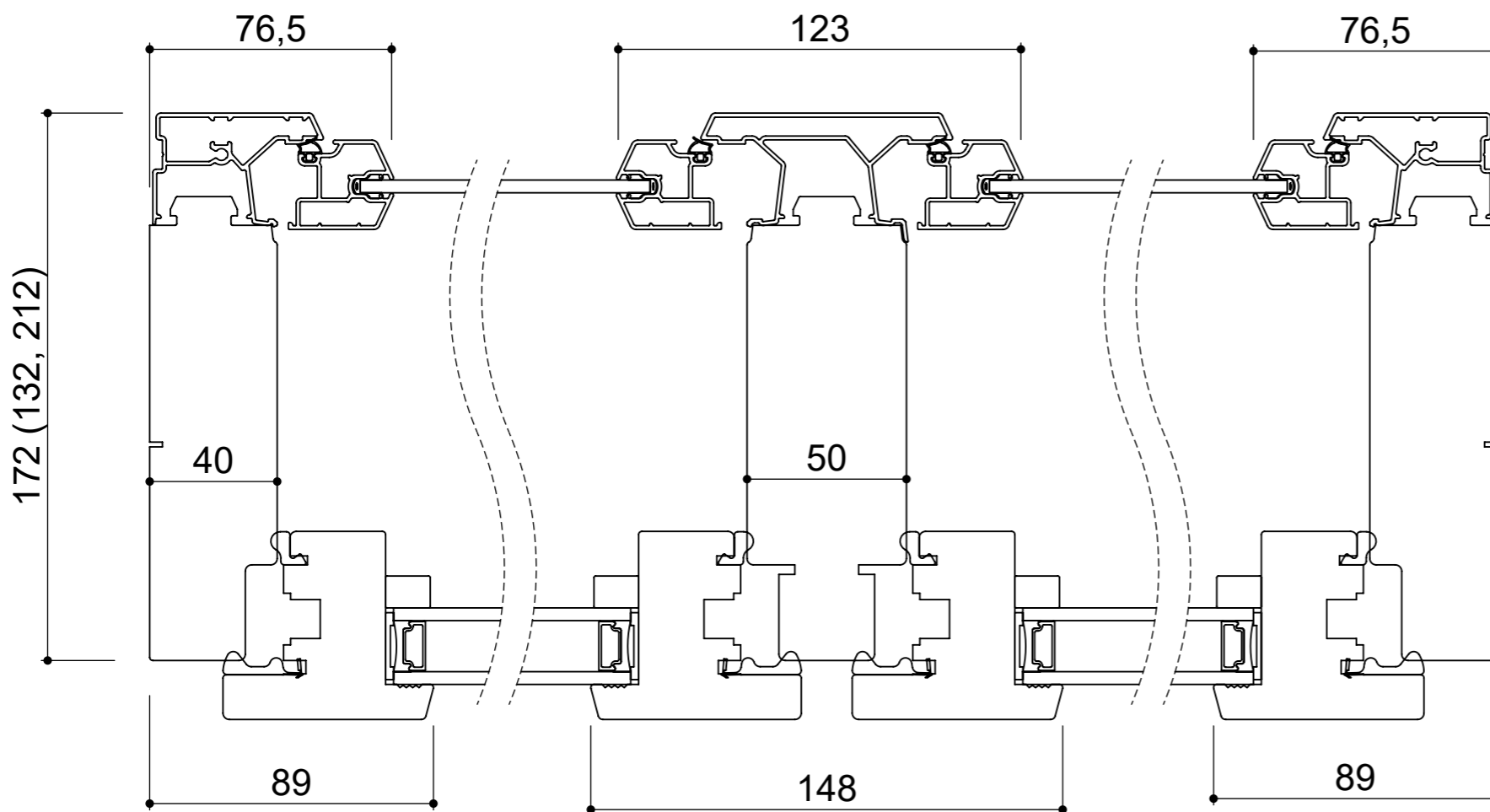
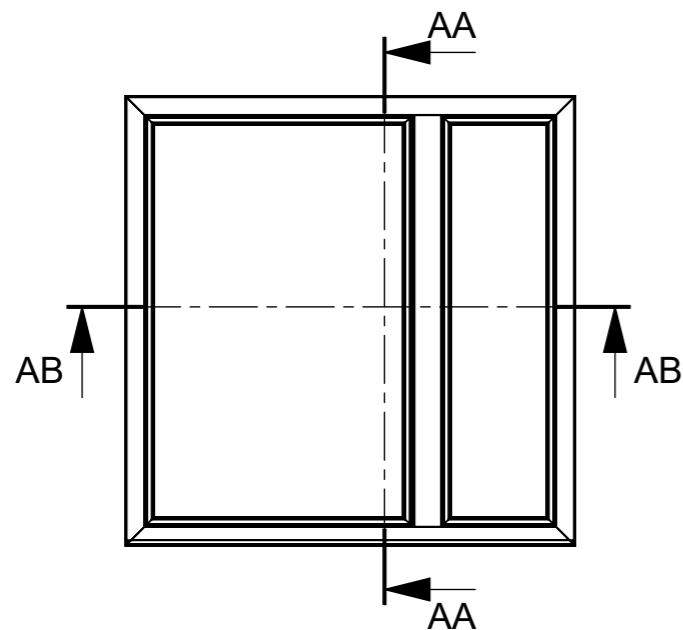
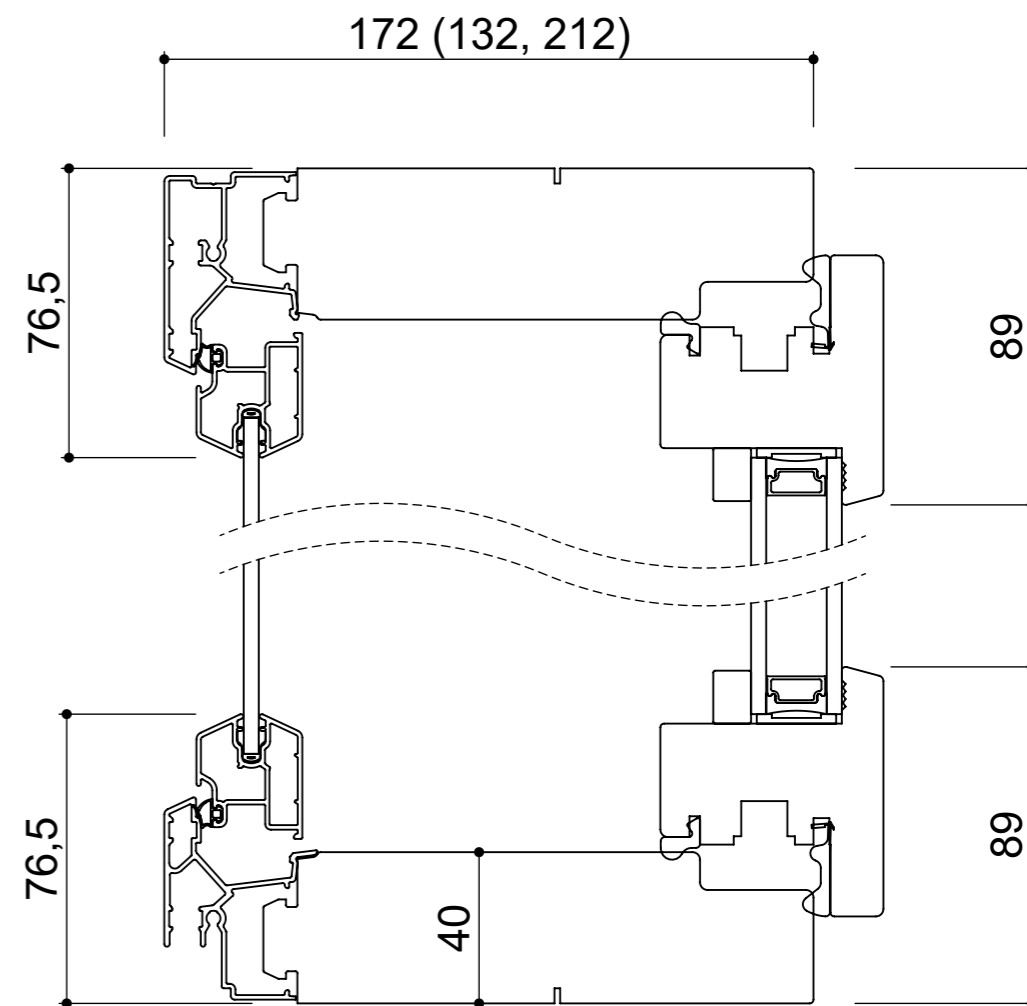


We reserve all rights in this document and in the information contained therein.
 Reproduction, use or disclosure to third parties without express authority is strictly forbidden.
 INWIDO



Horizontal cut
 SCALE 1 : 2



Vertical cut
 SCALE 1 : 2

Product Category
Window

Product Type
Side Hung - Inward

tiivi

Kristalli
 Moderni
 MSE1-KR/20

Designed by ML	Designed date 2021-06-01	View orientation
Approved by	Approved date	Scale 1:20
Drawing Number 206535-23 Kristalli		Revision M(A)